

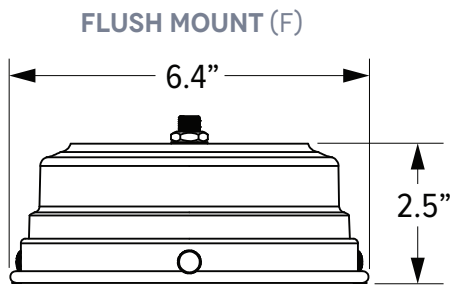


SCHOOLHOUSE STEM MOUNT PENDANTS

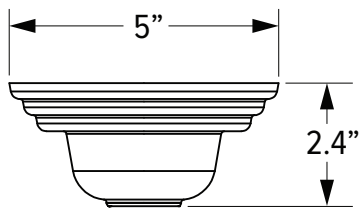
MKT-0016, REV B

To increase the versatility of a timeless style, glass schoolhouse shades can be attached to a stem, flush or semi-flush mounting. Shielding the wires and electrical components behind a sturdy stem establishes a design well-suited for commercial or damp locations — areas where the fixture is exposed to moisture in the air but not direct contact with water.

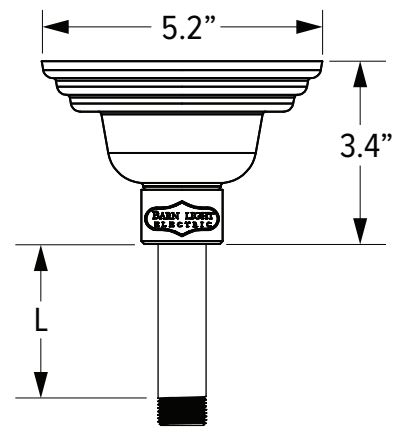
Several canopy options customize the pendant to reflect a space’s specific needs. For ceilings sloped up to 25 degrees, the Hang Straight Canopy lets the rigid stem mounting rest at its natural angle. A heavy-duty canopy offers extra stability to the fixture’s design. The flush mounting affixes the schoolhouse shade directly to the ceiling, while a semi-flush mounting slightly separates the two.



SEMI-FLUSH MOUNT (FSF)



1/2" STEM MOUNT (ST5XX)

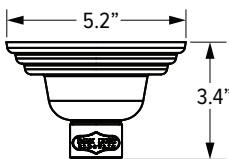


1/2 - 14 NPT

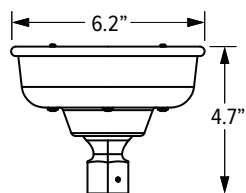
CODE	LENGTH (L)
ST503	3"
ST506	6"
ST512	12"
ST518	18"
ST524	24"
ST536	36"
ST548	48"

SCHOOLHOUSE CANOPY OPTIONS

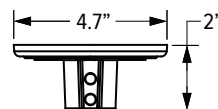
*PLEASE NOTE: BELOW CANOPIES ONLY APPLICABLE WITH STEM MOUNT STYLE



STANDARD BEEHIVE CANOPY



HANG STRAIGHT CANOPY



HEAVY DUTY STEM MOUNT CANOPY